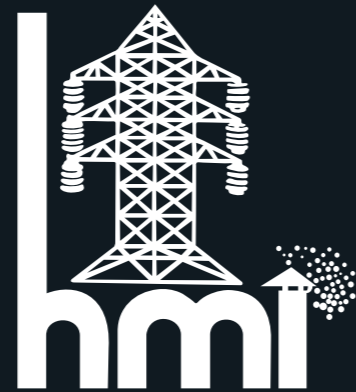


HMI



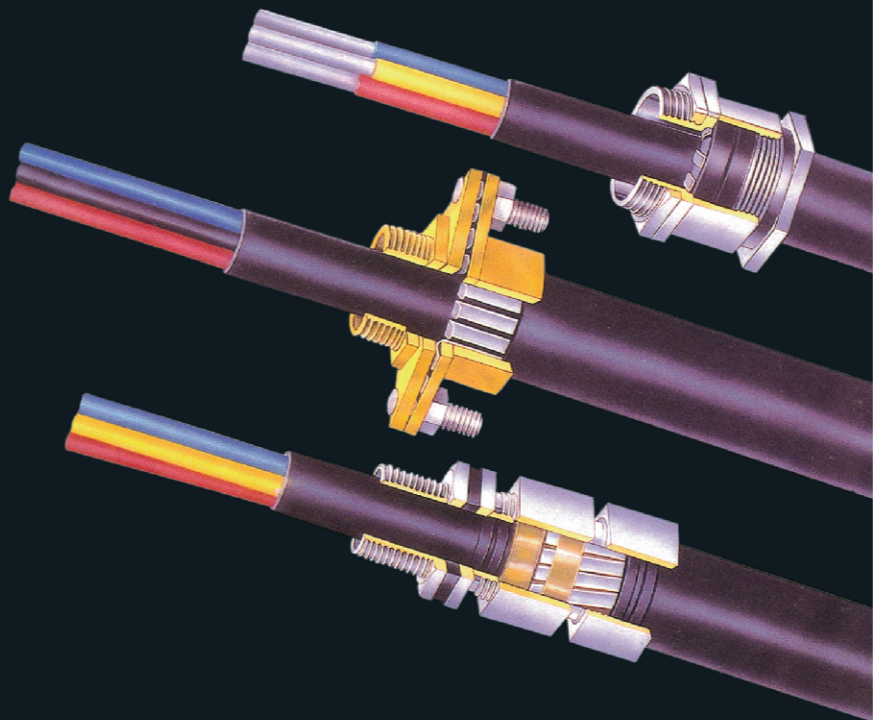
CONTACT AT:-
 MR. MANISH HIRPARA
 HMI CABLE GLAND
 408/1, GIDC Shanker Tekri,
 Jamnagar - 361 004 (Gujrat)
 Ph. No.:- 288 - 256 1546/ 256 3772
 Fax No.:- 288 - 256 1626
 Mobile :- 09925242441
 E-mail :- bharati_ad1@bsnl.in

CONTACT AT:-
 MR. HEMANT HIRPARA
 HMI CABLE GLAND
 301, Galaxy Arcade,
 M. G. Road, Vile Parle (E),
 Mumbai - 400 057 (India)
 Ph. No.:- 22 - 2617 7766 / 67
 Fax No.:- 22- 2617 7768
 E-mail :- info@sterlingimpex.com



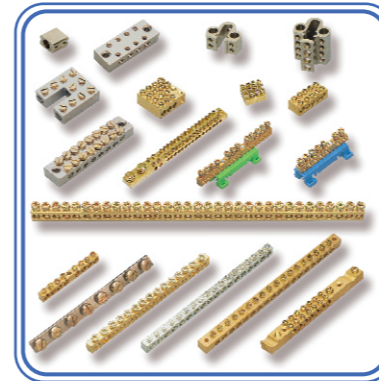
HMI

HMI®
 CABLE GLAND
 Selection Manual





Our Other Range Of Products



◀ Brass Terminal Bars & Blocks



◀ Brass & Copper Earthing Accessories



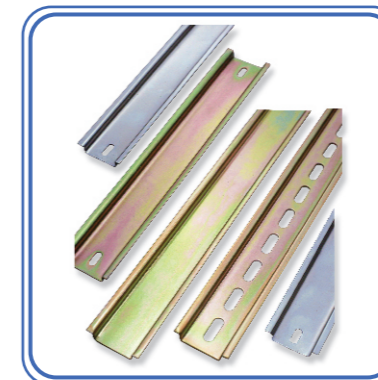
◀ Brass & G. I. Conduit Fittings



◀ Brass Cable Glands



◀ Various Types of Cable Clamps



◀ Din Rail

Our Other Range Of Products



◀ Brass Insert for Moulding



◀ Brass Bolts, Nuts & Screws



◀ Metal Machined Parts / Components



◀ Metal Pressed Components



◀ Brass Turned Parts for Lighting Accessories ▶



1. Company Introduction :

We are manufacturing various types of CABLE GLANDS & BRASS ELECTRICAL WIRING ACCESSORIES made of BRASS since 1979. Our state of art Technology alongwith our dynamic management has made it possible to Manufacture universally accepted WORLD CLASS quality products.

Because of increased in house R & D Facilities, our products have continued to make further inroads in the National and International ELECTRIC & ELECTRONIC Markets.

We have introduce quite innovative ideas and Novel Technology in processing our HMI Glands and other Electrical items as suggested by our Technocrats, which releases the products in a steady uniform manner and consequently, our valued customers are more satisfied with products and services we render.

We have developed products with lot of research & experiments and have implemented following improvements just to give separate IDENTITY of our HMI Glands.

- (a) Engraved Brand Name
- (b) Engraved Size of Glands for easy Identifications.
- (c) Bright Nickle Plating
- (d) Introduced Poly Bag with Co.'s MONOGRAM for packing.
- (e) Multi-coloured attractive strong standard packing boxes.

Consequently 'HMI' has become a trusted name in National and International Markets. We can say with proud that our Glands are approved by leading consultants, Technocrats, National & Multinational companies and Semi Govt. Authorities.

Some of Our valued customers are :

Electrical & Engineering Industries	Petroleum Chemical & Food Industries	Other Big Group & Co.
<ul style="list-style-type: none"> • ABB Limited • BHEL • Tata Power Co. Ltd. • Crompton & Greaves Ltd. • Ahmedabad Electric Co. Ltd. • Bajaj Electrical Ltd. • Tecnimount ICB Ltd. • Blue Star Ltd. • Indian Railways 	<ul style="list-style-type: none"> • Reliance Petro Ltd. • IG Petro Ltd. • Ranbaxy Ltd. • Bharia Die Chem Ltd. • Konal Pharmaceutical Ltd. • Mihir Chemical Ltd. • Indo Core Remedies Ltd. • Cadbury India Ltd. • M. E. S. • ONGC 	<ul style="list-style-type: none"> • Jindal Group of Co. • Samsonit India Pvt. Ltd. • Unit Trust of India Ltd. • Grasim Industries Ltd. • Antelec Ltd. • General Insurance Corp. • Oberoi Hotel Ltd. • Hotel Leela Venture Ltd. • Hotel Marine Plaza • Tata Honey Well • Ordnance Factories • W. S. Industries Ltd.

Many other Semi Government Concern & Enterprises and also Ordinance Factory.

2. General Information :

- HMI Cable Glands are manufactured according to standard prescribed under BS 6121 with slight adjustments when ever necessary just to meet the requirements of different customers.
- HMI Cable Glands are usually available with BSC threads, but can be available in NPT, PG, BSP & METRIC Threads when ever required.
- HMI Cable Glands are manufactured from Standard Brass Materials with inhouse Foundry Casting Facility. It can be also made from alternate material made of Aluminium, Mild Steel & S. S. (304 & 316 Grade) on specific requirements.
- HMI Cable Glands usually come with Bright Nickel Plating & Natural Brass Colour (Flange Type only) finish and also available with other plating viz Tin, Cadmium etc.
- HMI Cable Glands are also available with EXTRA acces. (Extra Cost) such as PVC Shroud and Earth Tag.
- HMI Flame Proof Glands are approved by CMRI, Dhanbad (CMRI/TC/P/H856)
- HMI Weather Proof Glands are also approved by CMRI, Dhanbad (CMRI/TC/P/H837)
- Flame Proof-cum-weather proof (IP-65) Stopping Plug CMRI/TC/P/H857
- Flame Proof-cum-weather proof (IP-65) Reducer. CMRI/TC/P/H858
- HMI Certified by ISO 9001-2000 by BVQI. Certification No. 212764

How To Order :

- Specify the HMI Gland Size Code from this Selection Chart.
- Specify the Entry Threads (Type and Size) which is required.
- Specify Full Cable Description (Specify O. D. of Cable).

TROPODUR UNARMoured CONTROL CABLE TYPE YY 650/1100 V

Cable Description		Single Compression		Double Compression Cable Gland				
No. Of Cores	Approx. Overall Diameter (mm)	S.C. Type Size Code	Nipple Entry for S.C. Type	Weather Proof As Per BS 6121 Size Code	Flame Proof As Per IS 2148 Size Code	Nipple Entry for W/P & F/P	D.C. Type Size Code	Nipple Entry for D.C. Type
2 X 1.5	11.50	3/8"	5/8"	W 01SS	F 01SS	3/4"	1/2"	5/8"
3 X 1.5	12.50	5/8"	3/4"	W 01S	F 01S	3/4"	1/2"	5/8"
4 X 1.5	13.00	5/8"	3/4"	W 01S	F 01S	3/4"	1/2"	5/8"
5 X 1.5	14.00	5/8"	3/4"	W 01S	F 01S	3/4"	1/2"	5/8"
6 X 1.5	15.00	5/8"	3/4"	W 01S	F 01S	3/4"	1/2"	5/8"
7 X 1.5	15.50	5/8"	3/4"	W 01S	F 01S	3/4"	5/8"	3/4"
10 X 1.5	17.00	3/4"	3/4"	W 01A	F 01A	1"	3/4"	3/4"
12 X 1.5	17.50	3/4"	3/4"	W 01A	F 01A	1"	3/4"	3/4"
14 X 1.5	18.50	7/8"	3/4"	W 02	F 02	1"	7/8"	3/4"
16 X 1.5	19.50	7/8"	3/4"	W 02	F 02	1"	7/8"	3/4"
19 X 1.5	21.00	1"	1"	W 03	F 03	1"	1"	1"
24 X 1.5	24.00	1.1/8"	1.1/8"	W 04A	F 04A	1.1/4"	1.1/8"	1.1/8"
27 X 1.5	24.50	1.1/8"	1.1/8"	W 04A	F 04A	1.1/4"	1.1/8"	1.1/8"
30 X 1.5	25.50	1.1/8"	1.1/8"	W 04A	F 04A	1.1/4"	1.1/8"	1.1/8"
37 X 1.5	27.50	1.1/4"	1.1/4"	W 05A	F 05A	1.1/2"	1.1/4"	1.1/4"
44 X 1.5	30.50	1.3/8"	1.3/8"	W 06	F 06	1.1/2"	1.1/4"	1.1/4"
52 X 1.5	33.00	1.3/8"	1.3/8"	W 06	F 06	1.1/2"	1.3/8"	1.1/2"
61 X 1.5	34.50	1.1/2"	1.1/2"	W 07	F 07	1.1/2"	1.1/2"	1.1/2"

TROPODUR UNARMoured CONTROL CABLE TYPE YY 650/1100 V

Cable Description		Single Compression Cable Glands		Double Compression Cable Gland				
No. Of Cores	Approx. Overall Diameter (mm)	S.C. Type Size Code	Nipple Entry for S.C. Type	Weather Proof As Per BS 6121 Size Code	Flame Proof As Per IS 2148 Size Code	Nipple Entry for W/P & F/P	D.C. Type Size Code	Nipple Entry for D.C. Type
2 X 2.5	13.00	5/8"	3/4"	W 01S	F 01S	3/4"	1/2"	5/8"
3 X 2.5	13.50	5/8"	3/4"	W 01S	F 01S	3/4"	1/2"	5/8"
4 X 2.5	14.50	5/8"	3/4"	W 01S	F 01S	3/4"	1/2"	5/8"
5 X 2.5	15.50	3/4"	3/4"	W 01S	F 01S	3/4"	5/8"	3/4"
6 X 2.5	17.00	3/4"	3/4"	W 01A	F 01A	1"	3/4"	3/4"
7 X 2.5	17.50	3/4"	3/4"	W 01A	F 01A	1"	3/4"	3/4"
10 X 2.5	19.50	7/8"	3/4"	W 02	F 02	1"	7/8"	3/4"
12 X 2.5	20.50	1"	1"	W 02	F 02	1"	1"	1"
14 X 2.5	22.00	1"	1"	W 03	F 03	1"	1"	1"
16 X 2.5	23.00	1"	1"	W 03	F 03	1"	1"	1"
19 X 2.5	24.00	1.1/8"	1.1/8"	W 04A	F 04A	1.1/4"	1.1/8"	1.1/8"
24 X 2.5	28.00	1.1/4"	1.1/4"	W 05A	F 05A	1.1/2"	1.1/4"	1.1/4"
27 X 2.5	28.50	1.1/4"	1.1/4"	W 05A	F 05A	1.1/2"	1.1/4"	1.1/4"
30 X 2.5	29.50	1.1/4"	1.1/4"	W 05A	F 05A	1.1/2"	1.1/4"	1.1/4"
37 X 2.5	33.00	1.3/8"	1.3/8"	W 06	F 06	1.1/2"	1.3/8"	1.1/2"
44 X 2.5	35.00	1.1/2"	1.1/2"	W 07	F 07	1.1/2"	1.1/2"	1.1/2"
52 X 2.5	37.00	1.1/2"	1.1/2"	W 08	F 08	2"	1.1/2"	1.1/2"
61 X 2.5	39.00	1.3/4"	1.3/4"	W 08	F 08	2"	1.3/4"	2"

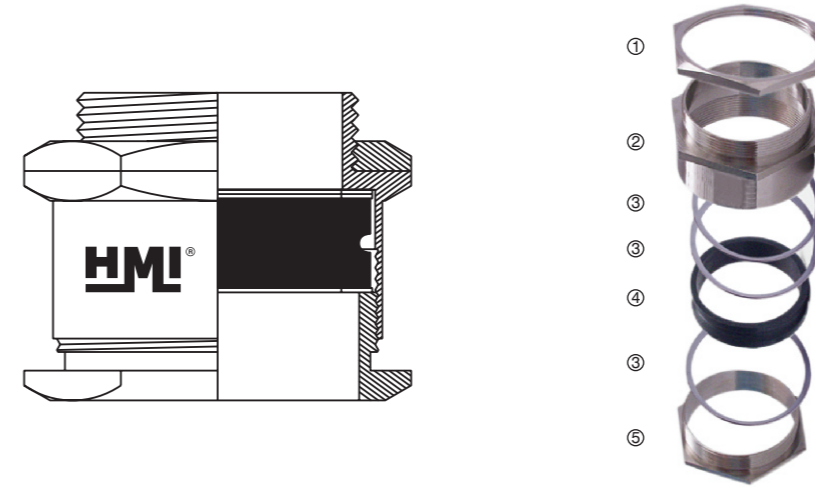
TROPODUR UNARMoured THREE & HALF CORE POWER CABLE TYPE AYY 650/1100 V

Cable Description		Single Compression		Double Compression Cable Gland				
No. Of Cores	Approx. Overall Diameter (mm)	S.C. Type Size Code	Nipple Entry for S.C. Type	Weather Proof As Per BS 6121 Size Code	Flame Proof As Per IS 2148 Size Code	Nipple Entry for W/P & F/P	D.C. Type Size Code	Nipple Entry for D.C. Type
3.1/2 X 25/16	24.00	1.1/8"	1.1/8"	W 04A	F 04A	1.1/4"	1.1/4"	1.1/4"
3.1/2 X 35/16	25.00	1.1/4"	1.1/4"	W 04A	F 04A	1.1/4"	1.1/4"	1.1/4"
3.1/2 X 50/25	29.00	1.3/8"	1.3/8"	W 05A	F 05A	1.1/2"	1.3/8"	1.1/2"
3.1/2 X 70/35	33.00	1.1/2"	1.1/2"	W 06	F 06	1.1/2"	1.3/8"	1.1/2"
3.1/2 X 95/50	38.50	1.3/4"	1.3/4"	W 08	F 08	2"	1.3/4"	2"
3.1/2 X 120/70	41.00	1.3/4"	1.3/4"	W 08	F 08	2"	2"	2"
3.1/2 X 150/70	44.00	2"	2"	W 09	F 09	2"	2"	2"
3.1/2 X 185/95	50.50	2.1/4"	2.1/4"	W 010A	F 010A	2.1/2"	2.1/4"	2.1/4"
3.1/2 X 240/120	57.00	2.1/2"	2.1/2"	W 011	F 011	2.1/2"	2.1/2"	2.1/2"
3.1/2 X 300/150	68.00	2.3/4"	2.3/4"	W 012	F 012	3"	2.3/4"	2.3/4"
3.1/2 X 400/185	70.00	3"	3"	W 013S	F 013S	3"	3"	3"
3.1/2 X 500/240	80.00	3.1/2"	3.1/2"	W 014	F 014	3.1/2"	3.1/2"	3.1/2"
3.1/2 X 630/300	87.00	4"	4"	W 015	F 015	4"	4"	4"

TROPODUR UNARMoured FOUR CORE POWER CABLE TYPE AYY 650/1100 V

Cable Description		Single Compression Cable Glands		Double Compression Cable Gland				
No. Of Cores	Approx. Overall Diameter (mm)	S.C. Type Size Code	Nipple Entry for S.C. Type	Weather Proof As Per BS 6121 Size Code	Flame Proof As Per IS 2148 Size Code	Nipple Entry for W/P & F/P	D.C. Type Size Code	Nipple Entry for D.C. Type
4 X 1.5	14.00	5/8"	3/4"	W 01S	F 01S	3/4"	1/2"	5/8"
4 X 2.5	14.50	5/8"	3/4"	W 01S	F 01S	3/4"	1/2"	5/8"
4 X 4	16.00	3/4"	3/4"	W 01A	F 01A	1"	5/8"	3/4"
4 X 6	18.50	1"	1"	W 01A	F 01A	1"	3/4"	3/4"
4 X 10	19.00	1"	1"	W 02	F 02	1"	7/8"	3/4"
4 X 16	23.50	1.1/8"	1.1/8"	W 04A	F 04A	1.1/4"	1"	1"
4 X 25	24.00	1.1/4"	1.1/4"	W 04A	F 04A	1.1/4"	1.1/8"	1.1/8"
4 X 35	27.50	1.1/4"	1.1/4"	W 05	F 05	1.1/4"	1.1/4"	1.1/4"
4 X 50	32.00	1.3/8"	1.3/8"	W 06	F 06	1.1/2"	1.3/8"	1.1/2"
4 X 70	36.00	1.1/2"	1.1/2"	W 07	F 07	1.1/2"	1.1/2"	1.1/2"
4 X 95	41.00	2"	2"	W 08	F 08	2"	1.3/4"	2"
4 X 120	43.50	2"	2"	W 09	F 09	2"	1.3/4"	2"
4 X 150	48.00	2.1/4"	2.1/4"	W 010A	F 010A	2.1/2"	2"	2"
4 X 185	53.00	2.1/2"	2.1/2"	W 011S	F 011S	2.1/2"	2.1/4"	2.1/4"
4 X 240	59.00	2.3/4"	2.3/4"	W 011	F 011	2.1/2"	2.1/2"	2.1/2"
4 X 300	66.00	3"	3"	W 012	F 012	3"	2.3/4"	2.3/4"
4 X 400	74.50	3.1/4"	3.1/4"	W 013	F 013	3.1/4"	3.1/4"	3.1/4"
4 X 500	83.00	3.1/2"	3.1/2"	W 014	F 014	3.1/2"	3.1/2"	3.1/2"

HMI Single Compression Cable Gland



Indoor cable gland for single wire armoured / unarmoured cables.

Application :

For use under most climatic conditions. These are weather Proof and may be used in corrosive conditions when protected by a shroud.

Specification :

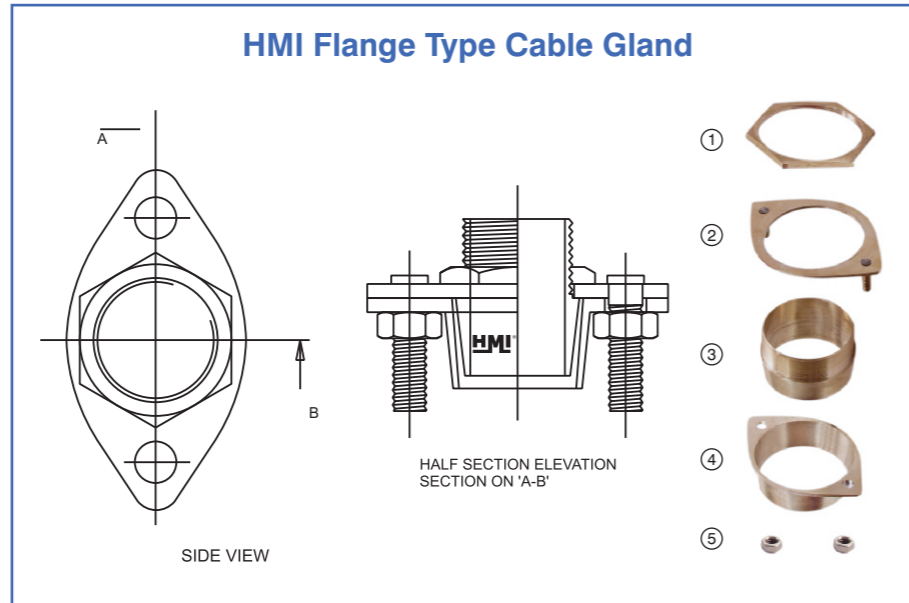
Glands consists of 1. Check Nut, 2. Gland Body, 3. Metal Washers (2nos.), 4. Outer Seal Rubbers, 5. Compression Nut. All metal part (metal washer are M. S.) are made of brass accurately machined for ease of assembly.

Extras :

Shrouds and Earth tags are supplied separately and should be specified when ordering the gland.

Fitting Sequence :

- Screw item 2 into apparatus (secure with item 1 if Plain hole entry.)
- Pass item 5, 3 and 4 cover cable before commencing to strip oversheath.
- Remove the outer sheath of the cable to the desired length depending on the lengths of lead required.
- Pass item 3 over the cable and splay out the armour wire according to the size of washer. Insert the third metal according to the size of washer over inner sheath of cable so that bend armours are secured between the metal washer and gland body.
- Push the cable through item 2 and engage the item 5 with item 2 and tighten up while doing, so the grooved rubber ring will contract in radial direction and will grip the outer sheath of cable.



Indoor or Outdoor cable gland for single wire armoured cables.

Application :

For use under dry climatic conditions.

Specification :

Glands consists of 1. Check Nut, 2. Gland Holder, 3. Gland Inner Body 4. Gland Outer Plate, 5. Steel Nut. All metal part (excepts Stud & Nut are M. S.) are made of brass accurately machined for ease of assembly.

Fitting Sequence :

- (a) Pass item 3 into item 2 and then screw item 3 into apparatus (secure with item 1 if Plain hole entry.)
- (b) Remove the outer sheath of the cable to the desired length depending on the lengths of armour required.
- (c) Pass item 4 over the cable and splay out the armour wire according to the size on the outer body.
- (d) Pass inner cable into item 3 & bend the armour on gland outer body to secure between gland plate & gland outer body.
- (e) Finally push the cable & fix item 5 with the stud & tight the nuts to grip the armour between gland body & gland plate.

TROPODUR UNARMoured TWIN CORE POWER CABLE TYPE AYY 650/1100 V

Cable Description		Single Compression		Double Compression Cable Gland				
No. Of Cores	Approx. Overall Diameter (mm)	S.C. Type Size Code	Nipple Entry for S.C. Type	Weather Proof As Per BS 6121 Size Code	Flame Proof As Per IS 2148 Size Code	Nipple Entry for W/P & F/P	D.C. Type Size Code	Nipple Entry for D.C. Type
2 X 1.5	12.50	5/8"	3/4"	W 01S	F 01S	3/4"	1/2"	5/8"
2 X 2.5	13.00	5/8"	3/4"	W 01S	F 01S	3/4"	1/2"	5/8"
2 X 4	14.00	5/8"	3/4"	W 01S	F 01S	3/4"	1/2"	5/8"
2 X 6	15.00	3/4"	3/4"	W 01A	F 01A	1"	1/2"	5/8"
2 X 10	17.00	3/4"	3/4"	W 01A	F 01A	1"	3/4"	3/4"
2 X 16	20.00	1"	1"	W 02	F 02	1"	7/8"	3/4"
2 X 25	22.00	1.1/8"	1.1/8"	W 03	F 03	1"	1"	1"
2 X 35	24.00	1.1/8"	1.1/8"	W 04A	F 04A	1.1/4"	1.1/8"	1.1/8"
2 X 50	27.50	1.1/4"	1.1/4"	W 05A	F 05A	1.1/2"	1.1/4"	1.1/4"
2 X 70	28.50	1.3/8"	1.3/8"	W 05A	F 05A	1.1/2"	1.1/4"	1.1/4"
2 X 95	32.00	1.3/8"	1.3/8"	W 06	F 06	1.1/2"	1.3/8"	1.1/2"
2 X 120	33.00	1.1/2"	1.1/2"	W 06	F 06	1.1/2"	1.3/8"	1.1/2"
2 X 150	36.00	1.3/4"	1.3/4"	W 07	F 07	1.1/2"	1.1/2"	1.1/2"
2 X 185	40.00	1.3/4"	1.3/4"	W 08	F 08	2"	1.3/4"	2"
2 X 240	45.00	2"	2"	W 09	F 09	2"	2"	2"
2 X 300	50.50	2.1/4"	2.1/4"	W 010A	F 010A	2.1/2"	2.1/4"	2.1/4"
2 X 400	57.00	2.1/2"	2.1/2"	W 011	F 011	2.1/2"	2.1/2"	2.1/2"
2 X 500	62.00	2.3/4"	2.3/4"	W 012	F 012	3"	2.3/4"	2.3/4"
2 X 630	70.00	3"	3"	W 013S	F 013S	3"	3"	3"

TROPODUR UNARMoured THREE CORE POWER CABLE TYPE AYY 650/1100 V

Cable Description		Single Compression Cable Glands		Double Compression Cable Gland				
No. Of Cores	Approx. Overall Diameter (mm)	S.C. Type Size Code	Nipple Entry for S.C. Type	Weather Proof As Per BS 6121 Size Code	Flame Proof As Per IS 2148 Size Code	Nipple Entry for W/P & F/P	D.C. Type Size Code	Nipple Entry for D.C. Type
3 X 2.5	13.50	5/8"	3/4"	W 01S	F 01S	3/4"	1/2"	5/8"
3 X 4	15.00	5/8"	3/4"	W 01A	F 01A	1"	1/2"	5/8"
3 X 6	16.00	3/4"	3/4"	W 01A	F 01A	1"	5/8"	3/4"
3 X 10	17.50	7/8"	3/4"	W 01A	F 01A	1"	3/4"	3/4"
3 X 16	21.00	1"	1"	W 03	F 03	1"	1"	1"
3 X 25	22.00	1.1/8"	1.1/8"	W 03	F 03	1"	1"	1"
3 X 35	23.50	1.1/8"	1.1/8"	W 04A	F 04A	1.1/4"	1.1/8"	1.1/8"
3 X 50	27.50	1.1/4"	1.1/4"	W 05A	F 05A	1.1/2"	1.1/4"	1.1/4"
3 X 70	31.00	1.3/8"	1.3/8"	W 06	F 06	1.1/2"	1.3/8"	1.1/2"
3 X 95	35.00	1.3/4"	1.3/4"	W 07	F 07	1.1/2"	1.1/2"	1.1/2"
3 X 120	37.00	1.1/2"	1.1/2"	W 08	F 08	2"	1.1/2"	1.1/2"
3 X 150	41.00	1.3/4"	1.3/4"	W 08	F 08	2"	1.3/4"	2"
3 X 185	45.50	2"	2"	W 09	F 09	2"	2"	2"
3 X 225	50.50	2.1/4"	2.1/4"	W 010	F 010	2"	2.1/4"	2.1/4"
3 X 240	51.50	2.1/4"	2.1/4"	W 010A	F 010A	2.1/2"	2.1/4"	2.1/4"
3 X 300	58.00	2.1/2"	2.1/2"	W 012	F 012	3"	2.1/2"	2.1/2"
3 X 400	65.00	2.3/4"	2.3/4"	W 012	F 012	3"	2.3/4"	2.3/4"
3 X 500	74.50	3.1/4"	3.1/4"	W 013	F 013	3.1/4"	3.1/4"	3.1/4"
3 X 630	79.50	3.1/2"	3.1/2"	W 014	F 014	3.1/2"	3.1/2"	3.1/2"

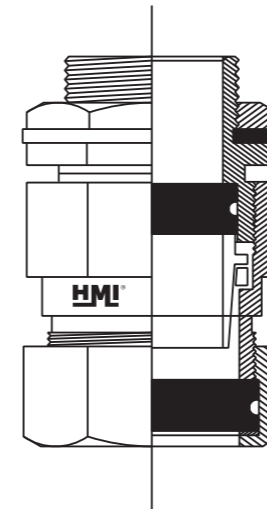
TROPODUR ARMoured CONTROL CABLES TYPE YWY /YFY 650/1100 V

Cable Description		Single Compression Cable Glands		Flange Type Cable Glands		Double Compression Cable Gland				
No. Of Cores	Approx. Overall Diameter (mm)	S.C. Type Size Code	Nipple Entry for S.C. Type	Flange Type Size Code	Nipple Entry for Flange Type	Weather Proof As Per BS 6121 Size Code	Flame Proof As Per IS 2148 Size Code	Nipple Entry for W/P & F/P	D.C. Type Size Code	Nipple Entry for D.C. Type
2 X 2.5	16.50	3/4"	3/4"	5	5/8"	W 01S	F 01S	3/4"	5/8"	3/4"
3 X 2.5	17.00	3/4"	3/4"	4	3/4"	W 01	F 01	3/4"	3/4"	3/4"
4 X 2.5	17.50	7/8"	3/4"	4	3/4"	W 01	F 01	3/4"	3/4"	3/4"
5 X 2.5	17.80	7/8"	3/4"	4	3/4"	W 01	F 01	3/4"	7/8"	3/4"
6 X 2.5	19.00	1"	1"	3	3/4"	W 02	F 02	1"	7/8"	3/4"
7 X 2.5	19.50	1"	1"	3	3/4"	W 02	F 02	1"	1"	1"
10 X 2.5	22.00	1"	1"	2	1"	W 03	F 03	1"	1"	1"
12 X 2.5	22.50	1"	1"	2	1"	W 03	F 03	1"	1"	1"
14 X 2.5	23.50	1.1/8"	1.1/8"	2	1"	W 04	F 04	1"	1"	1"
16 X 2.5	24.50	1.1/8"	1.1/8"	1	1.1/8"	W 04	F 04	1"	1.1/8"	1.1/8"
19 X 2.5	25.50	1.1/8"	1.1/8"	1	1.1/8"	W 04	F 04	1"	1.1/8"	1.1/8"
24 X 2.5	29.50	1.1/4"	1.1/4"	11	1.1/4"	W 05	F 05	1.1/4"	1.1/4"	1.1/4"
27 X 2.5	30.00	1.1/4"	1.1/4"	11	1.1/4"	W 05	F 05	1.1/4"	1.1/4"	1.1/4"
30 X 2.5	32.00	1.3/8"	1.3/8"	11	1.1/4"	W 06	F 06	1.1/2"	1.3/8"	1.1/2"
37 X 2.5	34.00	1.3/8"	1.3/8"	0	1.3/8"	W 07	F 07	1.1/2"	1.3/8"	1.1/2"
44 X 2.5	37.00	1.1/2"	1.1/2"	00	1.1/2"	W 07	F 07	1.1/2"	1.1/2"	1.1/2"
52 X 2.5	38.00	1.3/4"	1.3/4"	00	1.1/2"	W 08	F 08	2"	1.3/4"	2"
61 X 2.5	40.00	1.3/4"	1.3/4"	38	1.5/8"	W 08	F 08	2"	1.3/4"	2"

TROPODUR UNARMoured SINGLE CORE POWER CABLES TYPE AYY 650/1100 V

No. Of Core	Approx. Overall Diameter (mm)	S.C. Type Size Code	Nipple Entry for S.C. Type	Weather Proof As Per BS 6121 Size Code	Flame Proof As Per IS 2148 Size Code	Nipple Entry for W/P & F/P	D.C. Type Size Code	Nipple Entry for D.C. Type
1 X 4	8.30	3/8"	5/8"	W 01SS	F 01SS	3/4"	3/8"	5/8"
1 X 6	8.80	3/8"	5/8"	W 01SS	F 01SS	3/4"	3/8"	5/8"
1 X 10	9.70	3/8"	5/8"	W 01SS	F 01SS	3/4"	3/8"	5/8"
1 X 16	11.50	5/8"	5/8"	W 01S	F 01S	3/4"	1/2"	5/8"
1 X 25	12.50	5/8"	3/4"	W 01S	F 01S	3/4"	1/2"	5/8"
1 X 35	14.00	5/8"	3/4"	W 01S	F 01S	3/4"	1/2"	5/8"
1 X 50	15.50	3/4"	3/4"	W 01A	F 01A	1"	5/8"	3/4"
1 X 70	17.00	3/4"	3/4"	W 01A	F 01A	1"	3/4"	3/4"
1 X 95	19.50	7/8"	3/4"	W 02	F 02	1"	7/8"	3/4"
1 X 120	21.50	1"	1"	W 03	F 03	1"	1"	1"
1 X 150	23.50	1.1/8"	1.1/8"	W 04A	F 04A	1.1/4"	1.1/8"	1.1/8"
1 X 185	25.50	1.1/8"	1.1/8"	W 04A	F 04A	1.1/4"	1.1/8"	1.1/8"
1 X 225	27.50	1.1/4"	1.1/4"	W 05	F 05	1.1/4"	1.1/4"	1.1/4"
1 X 240	28.50	1.3/8"	1.3/8"	W 05A	F 05A	1.1/2"	1.1/4"	1.1/4"
1 X 300	32.00	1.3/8"	1.3/8"	W 06	F 06	1.1/2"	1.3/8"	1.1/2"
1 X 400	36.00	1.1/2"	1.1/2"	W 07	F 07	1.1/2"	1.1/2"	1.1/2"
1 X 500	40.00	1.3/4"	1.3/4"	W 08	F 08	2"	1.3/4"	2"
1 X 630	45.00	2"	2"	W 09	F 09	2"	2"	2"
1 X 800	49.00	2.1/4"	2.1/4"	W 010A	F 010A	2.1/2"	2"	2"
1 X 1000	54.00	2.1/2"	2.1/2"	W 011S	F 011S	2.1/2"	2.1/4"	2.1/4"

HMI Weather Proof Double Compression Cable Gland



Indoor or Outdoor cable gland for single wire armoured cables.

Application :

For use under most climatic conditions. These are Weather Proof and may be used in corrosive conditions when protected by a shroud.

Specification :

Glands consists of 1. Check Nut, 2. Flate Rubber Ring, 3. Gland Body, 4. Neoprene Inner Ring, 5. Armour Clamping Cone, 6. Armour Clamping Ring, 7. Armour Clamping Nut, 8. Neoprene Outer Ring, 9. Outer Seal Nut. All metal parts are made of brass accurately machined for ease of assembly.

Extras :

Shrouds and Earth tags are supplied separately and should be specified when ordering the gland.

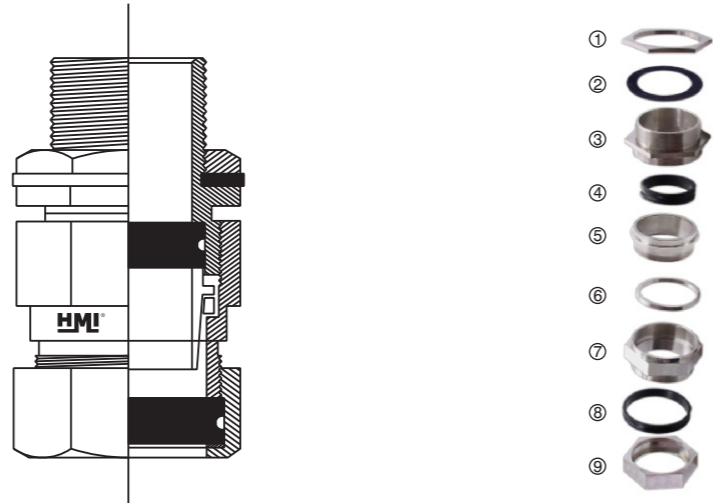
Approval :

HMI Weather Proof glands are approved by Central Mining Research Institute, Dhanbad. CMRI/TC/P/H837. IS: 13947 (Part-1)1993 (For IP-65).

Fitting Sequence :

- (a) Screw item 3 into apparatus (secure with item 1 if Plain hole entry.)
- (b) Pass item 9, 8, 7 respectively over cable before commencing to strip oversheath.
- (c) Remove the outer sheath of the cable and pass item 6 cover exposed armour.
- (d) Cut armour to length, Lift wire ends, Pass item 5 cover exposed bedding and beneath armour.
- (e) Pass item 4 cover exposed bedding.
- (f) Pass cable end through item 3.
- (g) Engage item 7 and 3 and tighten up.
- (H) Engage item 9 and 7 and tighten up.

HMI Flame Proof Double Compression Cable Gland



Indoor or Outdoor cable gland for single wire armoured cables.

Application :

For use hazardous atmosphere and most climatic conditions. This is WEATHER PROOF, WATER PROOF and FLAME PROOF. May be used in corrosive conditions when protected by a shroud.

Approval :

HMI Flame Proof glands are approved by Central Mining Research Institute, Dhanbad (CMRI/TC/P/H856) Groups I, II A and II B only as per IS: 2148-2004.

BIS NO. CM/L - 7651581

Extras :

Shrouds and Earth tags are supplied separately and should be specified when ordering the gland.

Specification :

Glands consists of 1. Check Nut, 2. Flate Rubber Ring, 3. Gland Body, 4. Neoprene Inner Ring, 5. Armour Clamping Cone, 6. Armour Clamping Ring, 7. Armour Clamping Nut, 8. Neoprene Outer Ring, 9. Outer Seal Nut. All metal parts are made of brass accurately machined for ease of assembly.

Fitting Sequence :

- (a) Screw item 3 into apparatus (secure with item 1 if Plain hole entry.)
- (b) Pass item 9, 8, 7 respectively over cable before commencing to strip oversheath.
- (c) Remove the outer sheath of the cable and pass item 6 cover exposed armour.
- (d) Cut armour to length, Lift wire ends, Pass item 5 cover exposed bedding and beneath armour.
- (e) Pass item 4 cover exposed bedding.
- (f) Pass cable end through item 3.
- (g) Engage item 7 and 3 and tighten up.
- (h) Engage item 9 and 7 and tighten up.

TROPIDUR ARMoured FOUR CORE POWER CABLE TYPE AYFY & AYWY 650/1100 V

Cable Description		Single Compression Cable Glands		Flange Type Cable Glands		Double Compression Cable Gland				
No. Of Cores	Approx. Overall Dia (mm)	S.C. Size Code	Nipple Entry for S.C.	Flange Size Code	Nipple Entry for Flange	Weather Proof As Per BS 6121	Flame Proof As Per IS 2148	Nipple Entry for W/P & F/P	D.C. Size Code	Nipple Entry for D.C.
4 X 1.5	16.00	3/4"	3/4"	5	5/8"	W 01S	F 01S	3/4"	5/8"	3/4"
4 X 2.5	17.00	3/4"	3/4"	4	3/4"	W 01	F 01	3/4"	3/4"	3/4"
4 X 4	18.50	7/8"	7/8"	3	3/4"	W 02	F 02	1"	7/8"	3/4"
4 X 6	20.50	1"	1"	3	3/4"	W 03	F 03	1"	1"	1"
4 X 10	21.00	1"	1"	2	1"	W 03	F 03	1"	1"	1"
4 X 16	25.50	1.1/8"	1.1/8"	1	1.1/8"	W 04	F 04	1"	1.1/8"	1.1/8"
4 X 25	26.00	1.1/8"	1.1/8"	1	1.1/8"	W 04	F 04	1"	1.1/8"	1.1/8"
4 X 35	28.00	1.1/4"	1.1/4"	1	1.1/8"	W 05	F 05	1.1/4"	1.1/4"	1.1/4"
4 X 50	33.00	1.3/8"	1.3/8"	11	1.1/4"	W 06	F 06	1.1/2"	1.3/8"	1.3/8"
4 X 70	37.00	1.1/2"	1.1/2"	00	1.1/2"	W 07	F 07	1.1/2"	1.1/2"	1.1/2"
4 X 95	42.00	1.3/4"	1.3/4"	001	1.3/4"	W 09	F 09	2"	1.3/4"	2"
4 X 120	45.00	2"	2"	001	1.3/4"	W 09	F 09	2"	2"	2"
4 X 150	50.00	2.1/4"	2.1/4"	002	2"	W 010	F 010	2"	2"	2"
4 X 185	55.00	2.1/4"	2.1/4"	003	2.1/4"	W 011	F 011	2.1/2"	2.1/2"	2.1/2"
4 X 225	58.00	2.1/2"	2.1/2"	0033	2.1/2"	W 011	F 011	2.1/2"	2.1/2"	2.1/4"
4 X 240	62.00	2.3/4"	2.3/4"	0033	2.1/2"	W 012	F 012	3"	2.3/4"	2.3/4"
4 X 300	68.50	3"	3"	004	3"	W 013S	F 013S	3"	3"	3"
4 X 400	76.00	3.1/4"	3.1/4"	004	3"	W 013	F 013	3.1/4"	3.1/4"	3.1/4"
4 X 500	86.00	4"	4"	005	3.1/4"	W 015	F 015	4"	4"	4"

TROPIDUR ARMoured CONTROL CABLE TYPE YWY /YFY 650/1100 V

No. Of Cores	Approx. Overall Dia (mm)	S.C. Size Code	Nipple Entry for S.C.	Flange Size Code	Nipple Entry for Flange	Weather Proof As Per BS 6121	Flame Proof As Per IS 2148	Nipple Entry for W/P & F/P	D.C. Size Code	Nipple Entry for D.C.
2 X 1.5	15.00	5/8"	3/4"	5	5/8"	W 01S	F 01S	3/4"	1/2"	5/8"
3 X 1.5	15.50	5/8"	3/4"	5	5/8"	W 01S	F 01S	3/4"	1/2"	5/8"
4 X 1.5	16.00	3/4"	3/4"	5	5/8"	W 01S	F 01S	3/4"	5/8"	3/4"
5 X 1.5	16.50	3/4"	3/4"	4	3/4"	W 01	F 01	3/4"	3/4"	3/4"
6 X 1.5	17.00	3/4"	3/4"	4	3/4"	W 01	F 01	3/4"	3/4"	3/4"
7 X 1.5	17.50	7/8"	3/4"	4	3/4"	W 01	F 01	3/4"	3/4"	3/4"
10 X 1.5	20.50	1"	1"	3	3/4"	W 02	F 02	1"	1"	1"
12 X 1.5	21.00	1"	1"	3	3/4"	W 03	F 03	1"	1"	1"
14 X 1.5	21.50	1"	1"	2	1"	W 03	F 03	1"	1"	1"
16 X 1.5	22.00	1"	1"	2	1"	W 03	F 03	1"	1"	1"
19 X 1.5	22.50	1"	1"	2	1"	W 03	F 03	1"	1"	1"
24 X 1.5	25.50	1.1/8"	1.1/8"	1	1.1/8"	W 04	F 04	1"	1.1/8"	1.1/8"
27 X 1.5	26.00	1.1/8"	1.1/8"	1	1.1/8"	W 04	F 04	1"	1.1/8"	1.1/8"
30 X 1.5	27.50	1.1/4"	1.1/4"	1	1.1/8"	W 05	F 05	1.1/4"	1.1/4"	1.1/4"
37 X 1.5	29.00	1.1/4"	1.1/4"	1	1.1/8"	W 05	F 05	1.1/4"	1.1/4"	1.1/4"
44 X 1.5	33.00	1.3/8"	1.3/8"	11	1.1/4"	W 06	F 06	1.1/2"	1.3/8"	1.1/2"
52 X 1.5	34.00	1.3/8"	1.3/8"	0	1.3/8"	W 07	F 07	1.1/2"	1.1/2"	1.1/2"
61 X 1.5	36.00	1.1/2"	1.1/2"	00	1.1/2"	W 07	F 07	1.1/2"	1.1/2"	1.1/2"

TROPODUR ARMURED THREE CORE POWER CABLE TYPE AYFY & AYWY 650/1100 V

Cable Description		Single Compression Cable Glands		Flange Type Cable Glands		Double Compression Cable Gland				
No. Of Cores	Approx. Overall Dia (mm)	S.C. Size Code	Nipple Entry for S.C.	Flange Size Code	Nipple Entry for Flange	Weather Proof As Per BS 6121	Flame Proof As Per IS 2148	Nipple Entry for W/P & F/P	D.C. Size Code	Nipple Entry for D.C.
3 X 1.5	15.00	5/8"	3/4"	5	5/8"	W 01S	F 01S	3/4"	1/2"	5/8"
3 X 2.5	15.50	3/4"	3/4"	5	5/8"	W 01S	F 01S	3/4"	1/2"	5/8"
3 X 4.0	18.00	7/8"	3/4"	4	3/4"	W 01	F 01	3/4"	3/4"	3/4"
3 X 6.0	19.50	1"	1"	3	3/4"	W 02	F 02	1"	7/8"	3/4"
3 X 10	21.00	1"	1"	3	3/4"	W 03	F 03	1"	1"	1"
3 X 16	23.50	1.1/8"	1.1/8"	2	1"	W 04	F 04	1"	1.1/8"	1.1/8"
3 X 25	24.00	1.1/8"	1.1/8"	1	1.1/8"	W 04	F 04	1"	1.1/8"	1.1/8"
3 X 35	25.50	1.1/8"	1.1/8"	1	1.1/8"	W 04	F 04	1"	1.1/8"	1.1/8"
3 X 50	29.00	1.1/4"	1.1/4"	1	1.1/8"	W 05	F 05	1.1/4"	1.1/4"	1.1/4"
3 X 70	33.00	1.3/8"	1.3/8"	0	1.3/8"	W 06	F 06	1.1/2"	1.3/8"	1.1/2"
3 X 95	37.00	1.1/2"	1.1/2"	00	1.1/2"	W 07	F 07	1.1/2"	1.1/2"	1.1/2"
3 X 120	39.00	1.3/4"	1.3/4"	38	1.5/8"	W 08	F 08	2"	1.3/4"	2"
3 X 150	43.50	2"	2"	001	1.3/4"	W 09	F 09	2"	1.3/4"	2"
3 X 185	47.00	2"	2"	002	2"	W 010	F 010	2"	2"	2"
3 X 240	53.00	2.1/4"	2.1/4"	003	2.1/4"	W 011S	F 011S	2.1/2"	2.1/4"	2.1/4"
3 X 300	59.00	2.1/2"	2.1/2"	0033	2.1/2"	W 011	F 011	2.1/2"	2.1/2"	2.1/2"
3 X 400	66.00	2.3/4"	2.3/4"	0033	2.1/2"	W 012	F 012	3"	2.3/4"	2.3/4"
3 X 500	76.00	3.1/4"	3.1/4"	004	3"	W 013	F 013	3.1/4"	3.1/4"	3.1/4"

TROPODUR ARMURED THREE & HALF CORE POWER CABLE TYPE AYFY & AYWY 650/1100 V

No. Of Cores	Approx. Overall Dia (mm)	S.C. Size Code	Nipple Entry for S.C.	Flange Size Code	Nipple Entry for Flange	Weather Proof As Per BS 6121	Flame Proof As Per IS 2148	Nipple Entry for W/P & F/P	D.C. Size Code	Nipple Entry for D.C.
3.1/2 X 25/16	26.00	1.1/8"	1.1/8"	1	1.1/8"	W 04	F 04	1"	1.1/8"	1.1/8"
3.1/2 X 35/16	27.50	1.1/4"	1.1/4"	1	1.1/8"	W 05	F 05	1.1/4"	1.1/4"	1.1/4"
3.1/2 X 50/25	31.00	1.3/8"	1.3/8"	11	1.1/4"	W 06	F 06	1.1/2"	1.3/8"	1.1/2"
3.1/2 X 70/35	34.00	1.1/2"	1.1/2"	0	1.3/8"	W 07	F 07	1.1/2"	1.1/2"	1.1/2"
3.1/2 X 95/50	39.00	1.3/4"	1.3/4"	38	1.5/8"	W 08	F 08	2"	1.3/4"	2"
3.1/2 X 120/70	42.00	1.3/4"	1.3/4"	001	1.3/4"	W 09	F 09	2"	1.3/4"	2"
3.1/2 X 150/70	47.00	2"	2"	001	1.3/4"	W 010	F 010	2"	2"	2"
3.1/2 X 185/95	52.00	2.1/4"	2.1/4"	002	2"	W 010	F 010	2"	2.1/4"	2.1/4"
3.1/2 X 225/120	55.00	2.1/4"	2.1/4"	003	2.1/4"	W 011	F 011	2.1/2"	2.1/4"	2.1/4"
3.1/2 X 240/120	58.00	2.1/2"	2.1/2"	003	2.1/4"	W 011	F 011	2.1/2"	2.1/2"	2.1/2"
3.1/2 X 300/150	65.00	2.3/4"	2.3/4"	0033	2.1/2"	W 012	F 012	3"	2.3/4"	2.3/4"
3.1/2 X 400/185	72.00	3"	3"	004	3"	W 013S	F 013S	3"	3"	3"
3.1/2 X 500/240	82.00	3.1/2"	3.1/2"	005	3.1/4"	W 014	F 014	3.1/2"	3.1/2"	3.1/2"

HMI FLAME PROOF CUM WEATHER PROOF (IP-65) STOPPING PLUG



Material : Brass (IS-319) Standard. (AL/MS/SS also available)
Finish : Nickel Plated - Standard (Tin / Candmium/Chrome also available)
Threads : BSC - Standard (PG / Metric/NPT/BSP, also available)
Ref. Standard : IS 2148 - 2004
CMRI Cert. No. : CMRI/TC/P/H857
Application : Flameproof used in flammable gas vapor area (Gas I, IIA and IIB)

PVC SHROUD



For covering the cable gland as additional protection against weather condition and corrosion.

BRASS GLAND - IP68 FOR FLEXIBLE CABLE



FOR PG THREAD

Material : Body with locknut Bright Nickal Plated.
Insert : Polymide - 6, Sealing ring - Neoprene.
'O' Ring : Nitral
Protection Class : IP - 68 - 5 BAR
Temp. Rang : 30 to + 90 C

HMI FLAME PROOF CUM WEATHER PROOF (IP-65) REDUCER



Material : Brass (IS-319) Standard. (AL/MS / S.S also available)
Finish : Nickel Plated - Standard (Tin / Candmium/Chrome also available)
Threads : BSC - Standard (PG / Metric / NPT / BSP, also available)
Ref. Standard : IS 2148 - 2004
CMRI Cert. No. : CMRI/TC/P/H858
Application : Flameproof used in flammable gas vapor area (Gas I, IIA and IIB)

Gland Size	Crimping Range	Entry Thread Length
PG - 7	3 - 6.5	7.5
PG - 9	4 - 8	7.5
PG - 11	5 - 10	7.5
PG - 13.5	6 - 12	7.5
PG - 16	10 - 14	9.0
PG - 21	13 - 17	9.0
PG - 29	18 - 25	10.0
PG - 36	22 - 32	12.0
PG - 42	30 - 38	15.0
PG - 48	34 - 44	15.0

SELECTION GUIDE FOR MATRIC THREAD

Gland Size	Crimping Range	Entry Thread Length
M - 12	2 - 5.5	7.5
M - 16	4.5 - 9	7.5
M - 20	6 - 12	9.0
M - 25	10 - 16	10.0
M - 32	14 - 21	12.0
M - 40	18 - 28	13.0
M - 50	26 - 35	15.0
M - 63	35 - 48	15.0

BRASS EARTH TAG



The Earth Tag ensures earthing continuity between gland and Enclosure. Material Brass.

CHART FOR SELECTION OF CABLE GLANDS ON THE BASIS OF CABLE OVERALL DIAMETER

Single Compression Cable Glands			Double Compression Cable Glands		
Cable Dia. (MM)	S.C.SIZE CODE	NIPPLE Thread BSC	Cable Dia. (MM)	D.C.SIZE CODE	NIPPLE Thread BSC
8.00 - 12.0	3/8"	5/8"	7.00 - 10.0	3/8"	1/2"
12.5 - 15.5	1/2" - 5/8"	5/8"	10.5 - 15.5	1/2"	5/8"
16.0 - 18.0	3/4"	3/4"	16.0 - 16.5	5/8"	3/4"
18.5 - 20.0	7/8"	3/4"	17.0 - 18.5	3/4"	3/4"
20.5 - 23.5	1"	1"	19.0 - 20.0	7/8"	3/4"
24.0 - 27.0	1.1/8"	1.1/8"	20.5 - 23.5	1"	1"
27.5 - 30.0	1.1/4"	1.1/4"	24.0 - 27.0	1.1/8"	1.1/8"
30.5 - 34.0	1.3/8"	1.3/8"	27.5 - 31.0	1.1/4"	1.1/4"
34.5 - 38.0	1.1/2"	1.1/2"	31.5 - 34.0	1.3/8"	1.1/2"
38.5 - 43.0	1.3/4"	1.3/4"	34.5 - 38.0	1.1/2"	1.1/2"
43.5 - 50.0	2"	2"	38.5 - 44.0	1.3/4"	2"
50.5 - 56.0	2.1/4"	2.1/4"	44.5 - 50.0	2"	2"
56.5 - 60.0	2.1/2"	2.1/2"	50.5 - 55.0	2.1/4"	2.1/4"
60.5 - 68.0	2.3/4"	2.3/4"	55.5 - 61.0	2.1/2"	2.1/2"
68.5 - 74.0	3"	3"	62.0 - 68.0	2.3/4"	2.3/4"
74.5 - 79.0	3.1/4"	3.1/4"	68.5 - 73.0	3"	3"
79.5 - 83.0	3.1/2"	3.1/2"	73.5 - 79.0	3.1/4"	3.1/4"
83.5 - 96.0	4"	4"	79.5 - 84.0	3.1/2"	3.1/2"
			84.5 - 94.0	4"	4"

Weather & Flame Proof Double Compression Glands

Cable Dia. (MM)	Weatherproof As per BS 6121	Flameproof As per IS 2148	NIPPLE Thread BSC	Cable Dia (MM)	FLANGE SIZE
08.0 - 12.0	HMI W01SS	HMI F01SS	3/4"	13.0 - 16.5	5
12.0 - 16.0	HMI W01S	HMI F01S	3/4"	17.0 - 19.0	4
16.5 - 18.0	HMI W01	HMI F01	3/4"	19.5 - 21.0	3
16.5 - 18.0	HMI W01A	HMI F01A	1"	21.5 - 24.0	2
18.5 - 20.0	HMI W02	HMI F02	1"	24.5 - 29.0	1
18.5 - 20.0	HMI W02A	HMI F02A	3/4"	29.5 - 33.0	11
20.5 - 23.0	HMI W03	HMI F03	1"	33.5 - 36.0	0
23.5 - 26.0	HMI W04	HMI F04	1"	36.5 - 39.0	00
23.5 - 26.0	HMI W04A	HMI F04A	1.1/4"	39.5 - 42.0	38
26.5 - 30.0	HMI W05	HMI F05	1.1/4"	42.5 - 48.0	001
26.5 - 30.0	HMI W05A	HMI F05A	1.1/2"	48.5 - 52.0	002
30.5 - 33.0	HMI W06	HMI F06	1.1/2"	52.5 - 58.0	003
30.5 - 33.0	HMI W06A	HMI F06A	1.1/4"	58.5 - 67.0	0033
33.5 - 37.0	HMI W07	HMI F07	1.1/2"	67.5 - 77.0	004
37.5 - 41.0	HMI W08	HMI F08	2"	77.5 - 86.5	005
41.5 - 46.0	HMI W09	HMI F09	2"		
46.5 - 52.0	HMI W010	HMI F010	2"		
46.5 - 52.0	HMI W010A	HMI F010A	2.1/2"		
52.1 - 54.0	HMI W011S	HMI F011S	2.1/2"		
54.0 - 60.0	HMI W011	HMI F011	2.1/2"		
60.5 - 66.0	HMI W012	HMI F012	3"		
66.1 - 72.0	HMI W013S	HMI F013S	3"		
72.0 - 78.0	HMI W013	HMI F013	3.1/4"		
78.5 - 84.0	HMI W014	HMI F014	3.1/2"		
84.5 - 92.0	HMI W015	HMI F015	4"		
92.5 - 104.0	HMI W016	HMI F016	4.1/2"		

TROPIDUR ARMoured SINGLE CORE POWER CABLE TYPE AYFY & AYWY 650/1100 V

Cable Description	Single Compression Cable Glands		Flange Type Cable Glands		Double Compression Cable Gland						
	No. Of Core	Approx. Overall Dia (mm)	S.C. Size Code	Nipple Entry for S.C.	Flange Size Code	Nipple Entry for Flange	Weather Proof As Per BS 6121	Flame Proof As Per IS 2148	Nipple Entry for W/P & F/P	D.C. Size Code	Nipple Entry for D.C.
1 X 1.5	10.00	1/2"	5/8"	5	5/8"	5/8"	W 01SS	F 01SS	3/4"	1/2"	5/8"
1 X 2.5	10.50	1/2"	5/8"	5	5/8"	5/8"	W 01SS	F 01SS	3/4"	1/2"	5/8"
1 X 4	12.30	5/8"	3/4"	5	5/8"	5/8"	W 01S	F 01S	3/4"	1/2"	5/8"
1 X 6	12.80	5/8"	3/4"	5	5/8"	5/8"	W 01S	F 01S	3/4"	1/2"	5/8"
1 X 10	13.50	5/8"	3/4"	5	5/8"	5/8"	W 01S	F 01S	3/4"	1/2"	5/8"
1 X 16	15.00	5/8"	3/4"	5	5/8"	5/8"	W 01S	F 01S	3/4"	1/2"	5/8"
1 X 25	16.00	3/4"	3/4"	5	5/8"	5/8"	W 01S	F 01S	3/4"	5/8"	3/4"
1 X 35	17.00	3/4"	3/4"	5	5/8"	5/8"	W 01	F 01	3/4"	3/4"	3/4"
1 X 50	19.00	1"	1"	4	3/4"	3/4"	W 02	F 02	1"	7/8"	3/4"
1 X 70	20.00	1"	1"	3	3/4"	3/4"	W 02	F 02	1"	1"	1"
1 X 95	22.00	1.1/8"	1.1/8"	2	1"	1"	W 03	F 03	1"	1"	1"
1 X 120	24.00	1.1/8"	1.1/8"	2	1"	1"	W 04	F 04	1"	1.1/8"	1.1/8"
1 X 150	25.00	1.1/8"	1.1/8"	1	1.1/8"	1.1/8"	W 04	F 04	1"	1.1/8"	1.1/8"
1 X 185	27.50	1.1/4"	1.1/4"	1	1.1/8"	1.1/8"	W 05	F 05	1.1/4"	1.1/4"	1.1/4"
1 X 225	30.00	1.3/8"	1.3/8"	11	1.1/4"	1.1/4"	W 05	F 05	1.1/4"	1.3/8"	1.1/2"
1 X 240	33.00	1.3/8"	1.3/8"	11	1.1/4"	1.1/4"	W 06	F 06	1.1/2"	1.3/8"	1.1/2"
1 X 300	35.00	1.1/2"	1.1/2"	00	1.1/2"	1.1/2"	W 07	F 07	1.1/2"	1.1/2"	1.1/2"
1 X 400	39.00	1.3/4"	1.3/4"	38	1.5/8"	1.5/8"	W 08	F 08	2"	1.3/4"	2"
1 X 500	41.00	1.3/4"	1.3/4"	001	1.3/4"	1.3/4"	W 08	F 08	2"	1.3/4"	2"
1 X 600	45.00	2"	2"	002	2"	2"	W 09	F 09	2"	2"	2"
1 X 800	52.00	2.1/4"	2.1/4"	003	2.1/4"	2.1/4"	W 010	F 010	2"	2.1/4"	2.1/4"
1 X 1000	56.50	2.1/2"	2.1/2"	003	2.1/4"	2.1/4"	W 011	F 011	2.1/2"	2.1/2"	2.1/2"

TROPIDUR ARMoured TWIN CORE POWER CABLE TYPE AYFY & AYWY 650/1100 V

No. Of Cores	Approx. Overall Dia (mm)	S.C. Size Code	Nipple Entry for S.C.	Flange Size Code	Nipple Entry for Flange	Weather Proof As Per BS 6121	Flame Proof As Per IS 2148	Nipple Entry for W/P & F/P	D.C. Size Code	Nipple Entry for D.C.
2 X 1.5	14.00	5/8"	3/4"	5	5/8"	W 01S	F 01S	3/4"	1/2"	5/8"
2 X 2.5	15.50	5/8"	3/4"	5	5/8"	W 01S	F 01S	3/4"	5/8"	3/4"
2 X 4	17.50	3/4"	3/4"	4	3/4"	W 01	F 01	3/4"	3/4"	3/4"
2 X 6	18.50	7/8"	3/4"	4	3/4"	W 02	F 02	1"	3/4"	3/4"
2 X 10	20.00	1"	1"	3	3/4"	W 02	F 02	1"	1"	1"
2 X 16	22.50	1"	1"	2	1"	W 03	F 03	1"	1"	1"
2 X 25	25.00	1.1/8"	1.1/8"	1	1.1/8"	W 04	F 04	1"	1.1/8"	1.1/8"
2 X 35	27.50	1.1/4"	1.1/4"	1	1.1/8"	W 05	F 05	1.1/4"	1.1/4"	1.1/4"
2 X 50	29.00	1.1/4"	1.1/4"	11	1.1/4"	W 05	F 05	1.1/4"	1.1/4"	1.1/4"
2 X 70	31.00	1.3/8"	1.3/8"	11	1.1/4"	W 06	F 06	1.1/2"	1.3/8"	1.1/2"
2 X 95	33.00	1.3/8"	1.3/8"	11	1.1/4"	W 06	F 06	1.1/2"	1.3/8"	1.1/2"
2 X 120	35.00	1.1/2"	1.1/2"	0	1.3/8"	W 07	F 07	1.1/2"	1.1/2"	1.1/2"
2 X 150	38.00	1.1/2"	1.1/2"	00	1.1/2"	W 08	F 08	2"	1.3/4"	2"
2 X 185	41.00	1.3/4"	1.3/4"	38	1.5/8"	W 08	F 08	2"	1.3/4"	2"
2 X 240	46.00	2"	2"	001	1.3/4"	W 09	F 09	2"	2"	2"
2 X 300	51.00	2.1/4"	2.1/4"	002	2"	W 010	F 010	2"	2.1/4"	2.1/4"
2 X 400	57.00	2.1/2"	2.1/2"	003	2.1/4"	W 011	F 011	2.1/2"	2.1/2"	2.1/2"